



DG-770

SERIES

Urological  
Examination  
Table



# DG-770 SERIES Urological Examination Table



Reduces stress on both patients and doctors/nurses

**Easier to provide care**  
Because it is built like a chair, doctors and nurses can easily help the patient get in and out.

**Less stressful getting the patient situated and in the best examining position**  
The patient can be automatically and safely positioned for examination once seated. Low 45 cm start position makes it easy for patients to sit.

**High examination position**  
High enough that doctors can stand to examine the patient.

## Improved Electric Legrest Operation



### Examination area

Widened leg opening secures a sufficient examination area. Leg rests are designed to comfortably cushion and support the patient in the ideal lithotomy position, allowing for smooth procedure.



### Leg-closed examination position

Leg-closed examination position switch allows for position change for examination with legs closed. Individualized leg opening can be operated according to the condition of patients including those after surgery or with disease.



### Selective leg opening

Foot control allows you to easily open right and left legs individually. You can gradually open one after the other to respond to each patient.

## Standard



### Wireless foot control

Infrared-based wireless foot control is employed to require no cords, offering a neat examination room.

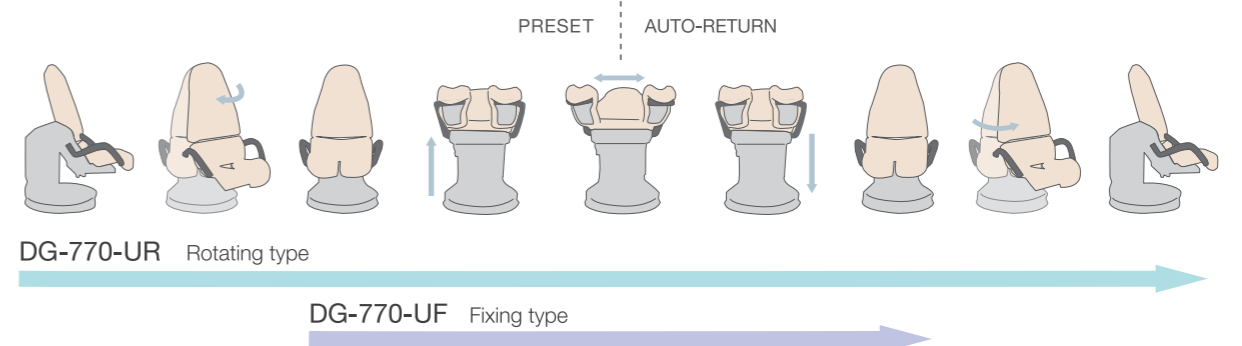


### Main unit auxiliary switches

Main unit is equipped with PRESET and RETURN switches, allowing for auxiliary operation from the main unit.

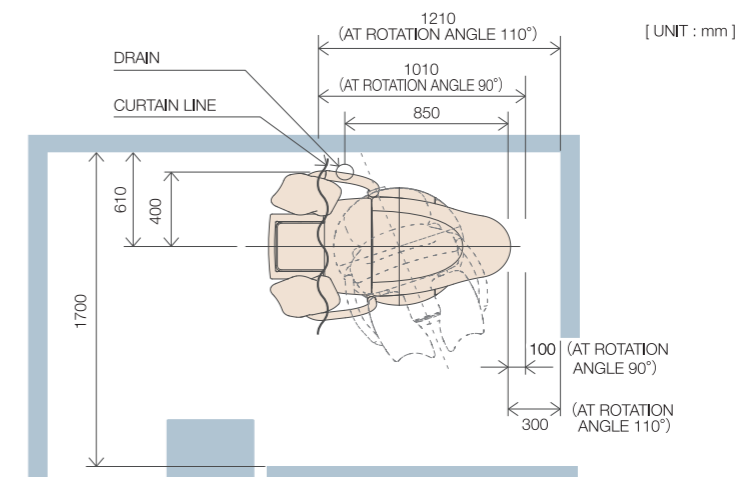
## Operation Process

Clinics can choose between fixing and rotating tables in accordance with their space demands and practices.



## Space

Compact design with top priority on effective use of treatment rooms



## Option

To ensure less burdensome position



### DG-770-ZLS ( 1 pair ) Leg support extension

Leg supports firmly prop up the patient's legs during lengthy procedures

Sanitary consideration



### DG-OPT-KB2 ( 1 Box ) Disposable leg rest cover ( 1 Box includes 50 pairs )

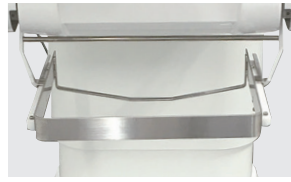


### DG-OPT-R35 ( 1 Box ) Disposable roll sheets ( 1 Box includes 12 rolls and 1 roll includes 120 sheets )

## Other Options



**DG-770-ZTR**  
Procedure tray with hose and filter for gynecological examination



**DG-770-ZTRF**  
Frame for Uro-Catcher bag



**DG-770-ZAC/DG-770-ZABB**  
Arm board



**DG-770-ZSC**  
Backrest cushion



**DG-770-ZB/DG-770-ZBT**  
Support belt



**DG-OPT-DB**  
Drain bucket

## Color Selection



ES17 Green



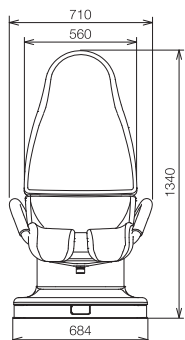
ES09 Ivory



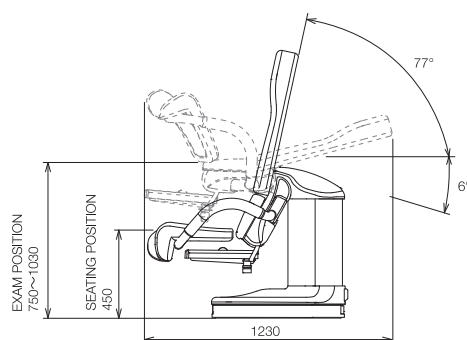
ES16 Blue

## Dimension

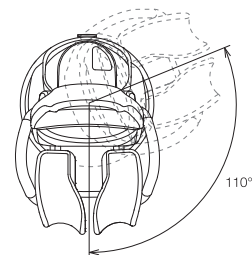
[mm]



[ DG-770-UR & DG-770-UF ]



[ DG-770-UR & DG-770-UF ]



[ DG-770-UR ]